



Multimode Filter Wavelength Division Multiplexer (MMFWDM Series)

Description

Rev 11B

The Multimode Filter Wavelength Division Multiplexer series is based on environmentally stable thin film filter technology. The devices combine or separate light at different wavelength in a wide wavelength range. They offer very low insertion loss, high isolation and excellent environmental stability. High power handling capability can be achieved through unique pigtail processing and high quality AR coating. These components have been extensively used in multi-mode fiber communication, CATV and testing instrumentation.

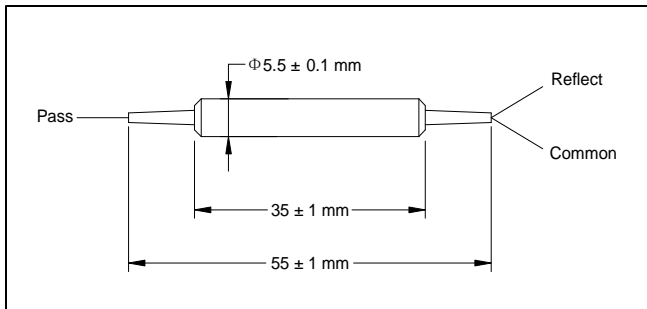
Specifications

Parameter	Unit	Value
Pass Band	Wavelength Range	nm 830 - 870 (1290 - 1330) 1270 - 1350 (1530 - 1600)
	Max. Insertion Loss	dB 0.5
	Min. Isolation	dB 30
Reflection Band	Wavelength Range	nm 1290 - 1330 (830 - 870) 1530 - 1600 (1270 - 1350)
	Max. Insertion Loss	dB 0.5
	Min. Isolation	dB 12
Min. Directivity	dB	35
Min. Return Loss	dB	35
Max. Temperature Dependent Loss	dB	0.15
Max. Optical Power (Continuous Wave)	mW	300
Max. Tensile Load	N	5
Fiber Type	-	Multimode Fiber 62.5/125, 50/125, 105/125 μ m NA0.22
Operating Temperature	$^{\circ}$ C	- 5 to + 70
Storage Temperature	$^{\circ}$ C	- 40 to + 85

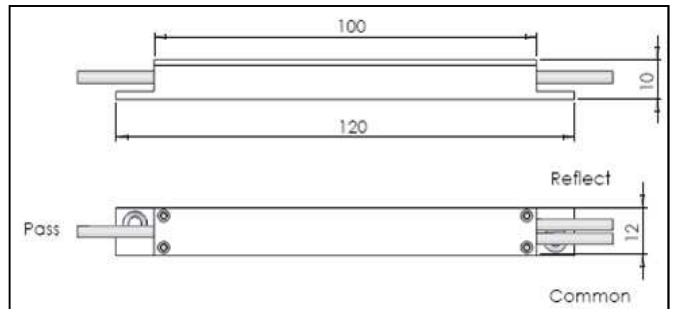
¹IL is 0.3 dB higher and RL is 5dB lower for each connector added.

²Above specifications are measured at CPR higher than 15dB.

Package Dimensions



for 250 μ m bare fiber & 900 μ m loose tube



for 2mm cable & 3mm cable

Ordering Information

MMFWDM-①①①①-②-③-④-⑤

①: Wavelength	②: Fiber Core	③: Connector Type	④: Fiber Type	⑤: Fiber Length
3155 - 1310 Pass/1550 Reflect	1 - 105 μ m	1 - FC/UPC	B - 250 μ m Bare Fiber	1 - 1.0 m
5531 - 1550 Pass/1310 Reflect	2 - 62.5 μ m	2 - FC/APC	L - 900 μ m Loose Tube	S - Specify
8531 - 850 Pass/1310 Reflect	3 - 50 μ m	3 - SC/UPC	2 - 2 mm Cable	
3185 - 1310 Pass/850 Reflect	S - Specify	4 - SC/APC	3 - 3 mm Cable	
		N - None	S - Specify	
		S - Specify		