



## Polarization Maintaining Fused Coupler Module (PMCM Series)

Spec Review No.: SR14434C

### Description

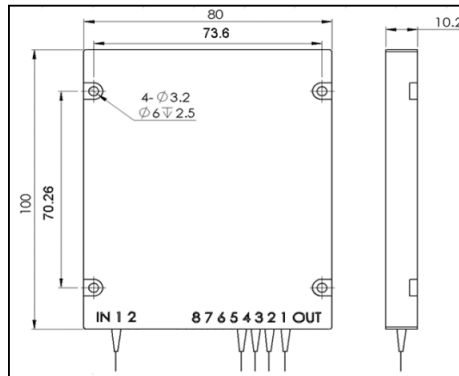
The Single Mode Broadband Coupler offers very low insertion loss, low polarization dependence and excellent environmental stability. Accurate coupling ratio from 50/50 to 1/99 are available with very good uniformity in a wide wavelength range. These components find extensive applications to perform power splitting and monitoring functions in all kinds of optical communication systems.

### Specifications

Parameter	Unit	Value
Center Wavelength ( $\lambda_c$ )	nm	1550
Operating Wavelength	nm	$\lambda_c \pm 10$
Configuration	-	1 x 4 or 2 x 4
Max. Insertion Loss, $\lambda_c$	dB	6.8
Min. Extinction Ratio, $\lambda_c$	dB	18
Min. Return Loss	dB	50
Min. Directivity	dB	50
Max. Optical Power (Continuous Wave)	W	2
Fiber Type	-	PM 1550 Panda Fiber
Thermal Stability	dB/°C	$\leq 0.05$ over -5 °C to +70 °C
Operating Temperature	°C	-5 to +70
Storage Temperature	°C	-40 to +85
Package Dimensions (L) x (W) x (H)	mm	ABS box: 100 x 80 x 10

\*IL is 0.3 dB higher, RL is 5 dB lower and ER is 2dB lower for each connector added. Connector key is aligned to slow axis. Optical power will be only 1 W with connector added.

### Package Dimensions



### Ordering Information

PMCM-①①①①-②②-③③-④-⑤-⑥

①①①①: Configuration

0104 - 1 x 4

0204 - 2 x 4

④: Connector Type

1 - FC/UPC

2 - FC/APC

3 - SC/UPC

4 - SC/APC

N - None

S - Specify

②②: Wavelength

55 - 1550 nm

⑤: Fiber Type

B - 250  $\mu$ m Bare Fiber

L - 900  $\mu$ m Loose Tube

2 - 2 mm Cable

3 - 3 mm Cable

③③: Coupling Ratio

BA - Balance

⑥: Fiber Length

H - 0.5 m

S - Specify