

Singlemode Broadband Tree Coupler Module SBTC - M x N (M: 1 or 2) (SBTC Series)

Rev 11

Description

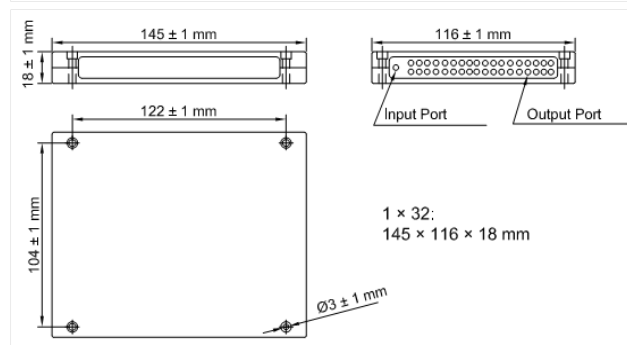
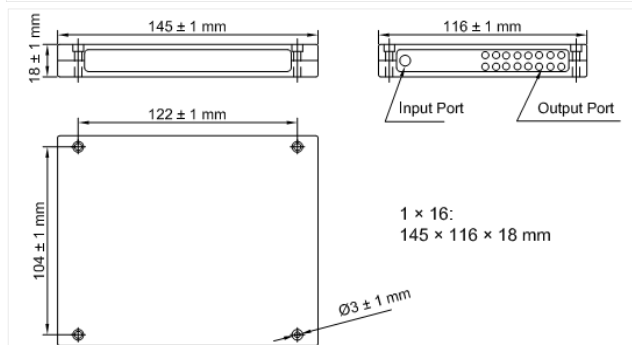
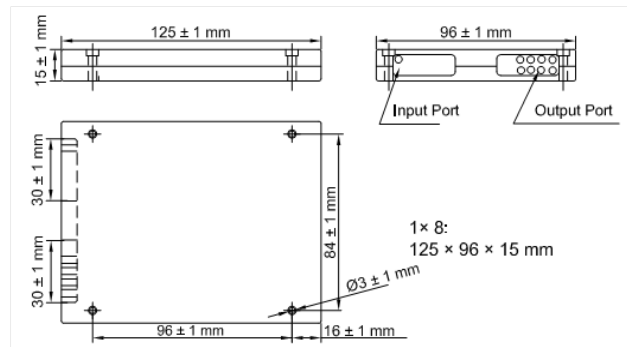
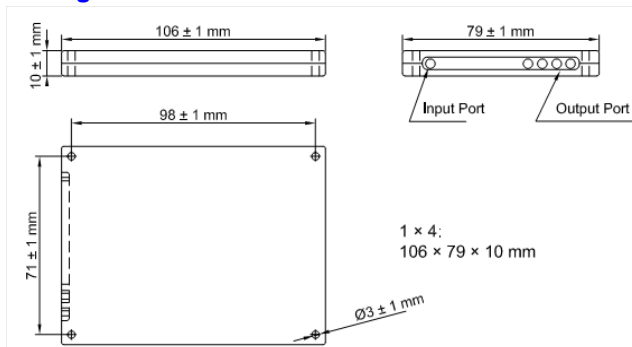
The Singlemode Broadband Tree Couplers offer very low insertion loss, low polarization dependence, well controlled uniformity in a wide wavelength range as excellent environmental stability. These modules have been extensively used to split and mix optical signals in CATV, LANs and other kinds of optical communication systems.

Specifications

Parameter	Unit	Value			
Configuration		1 or 2 x 4	1 or 2 x 8	1 or 2 x 16	1 or 2 x 32
Center Wavelength (λ_c)	nm	1310, 1550, or specified			
Operating Wavelength	nm	$\lambda_c \pm 40$			
Max. Excess Loss	dB	0.25	0.4	0.55	0.7
Max. Insertion Loss	dB	6.8	10.2	13.6	17
Max. Polarization Dependent Loss	dB	0.2	0.3	0.4	0.5
Max. Uniformity	dB	1.2	1.8	2.4	3.0
Thermal Stability	dB	0.2	0.3	0.4	0.5
Min. Return Loss	dB	50			
Directivity	dB	60			
Max. Optical Power (Continuous Wave)	mW	300			
Fiber Type	-	SMF-28 Fiber			
Package Dimensions	mm	A: 106 x 79 x 10 mm (for 1, 2 x 4 module) B: 125 x 96 x 15 mm (for 1, 2 x 8 module) C: 145 x 116 x 18 mm (for 1, 2 x 16; 1, 2 x 32 module)			
Operating Temperature	°C	- 5 to + 70			
Storage Temperature	°C	- 40 to + 85			

¹IL is 0.3 dB higher, RL is 5 dB lower for each connector added.

Package Dimensions



Ordering Information

SBTC-①①①①-②②-③③-④-⑤-⑥-⑦

①①①①: Configuration

0104 - 1 × 4 0204 - 2 × 4
0108 - 1 × 8 0208 - 2 × 8
0116 - 1 × 16 0216 - 2 × 16
0132 - 1 × 32 0232 - 2 × 32

④: Package Dimensions

A - 106 × 79 × 10 mm (for 1, 2 × 4)
B - 125 × 96 × 15 mm (for 1, 2 × 8)
C - 145 × 116 × 18 mm (for 1, 2 × 16, 1, 2 × 32)
S - Specify

②②: Wavelength

31 - 1310 nm
55 - 1550 nm
SS - Specify

⑤: Connector Type

1 - FC/UPC
2 - FC/APC
3 - SC/UPC
4 - SC/APC
N - None
S - Specify

③③: Coupling Ratio

BA - Balance
01 - 1% Tap/Balance
05 - 5% Tap/Balance
SS - Specify

⑥: Fiber Jacket

L - 900 μm Loose Tube
3 - 3 mm Cable

⑦: Fiber Length

H - 0.5 m
S - Specify