

High Power Polarization Insensitive Isolator (HI Series)

Description

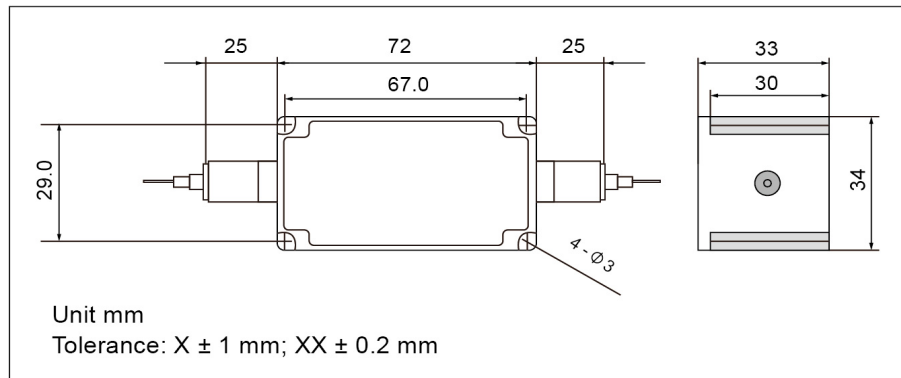
Rev 11D

The 980 nm High Power Polarization Insensitive Isolator is characterized with low insertion loss, high isolation, high power handling, high return loss, excellent environmental stability and reliability. It is ideal for fiber laser and instrumentation applications.

Specifications

Parameter	Unit	Value
Center Wavelength (λ_c)	nm	980
Operating Wavelength Range	nm	$\lambda_c \pm 10$
Typ. Peak Isolation	dB	30
Min. Isolation, λ_c , 23 °C, All polarization states Typ.	dB	25
Insertion Loss, 23 °C	dB	0.8
Max. Insertion Loss, 23 °C	dB	1
Min. Return Loss (Input/Output)	dB	45/45
Max. Polarization Dependent Loss	dB	0.2
Max. Average Optical Power	W	20
Max. Peak Power for ns Pulse	kW	10
Max. Tensile Load	N	5
Fiber Type	-	HI 1060 Fiber
Operating Temperature		+ 10 to + 50
Storage Temperature		0 to + 60

Package Dimensions



Ordering Information

HI-①①-②②-③③-④④-⑤⑤-⑥⑥-⑦⑦

①①: Wavelength

98 - 980 nm

SS - Specify

②②: Handling Power

03 - 3 W

10 - 10 W

20 - 20 W

SS - Specify

③③: Connector Type

N - None

④④: Fiber Jacket

B - 250 μ m Bare Fiber

L - 900 μ m Loose Tube

S - Specify

⑤⑤: Fiber Length

1 - 1.0 m

S - Specify

⑥⑥: Fiber Type

1 - HI 1060 Fiber

2 - Nufern FUD-3584 Fiber

S - Specify

⑦⑦: Power Type

P - Pulse Application

C - Continuous Wave