



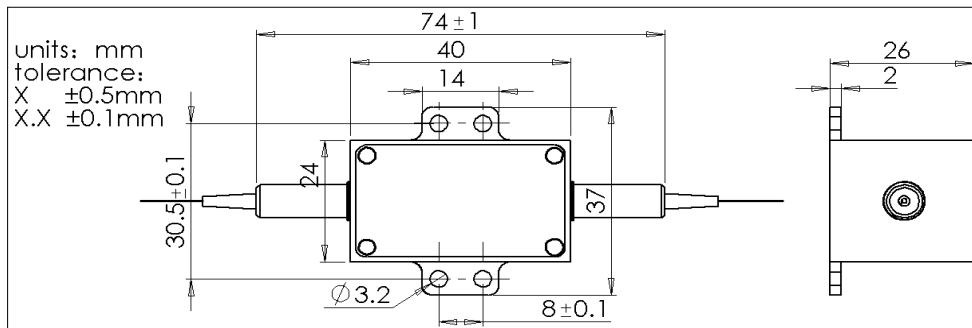
## Polarization Insensitive Isolator (PSSI Series)

### Specifications

Parameter	Unit	Value
Center Wavelength ( $\lambda_c$ )	nm	488
Operating Wavelength Range	nm	$\lambda_c \pm 5$
Typ. Insertion Loss, 23 °C	dB	1.5
Max. Insertion Loss, 23 °C	dB	2.0
Min. Isolation at 23 °C, $\lambda_c$	dB	30
Max. Optical power	mW	50
Fiber Type	-	Nufern 460-HP Fiber
Operating Temperature	°C	+ 25 to + 45

<sup>1</sup>IL is 1.5 dB higher, RL is 5 dB lower for each connector added.

### Package Dimensions



### Ordering Information

**PSSI-①①①-②-③-④**

①①①: Wavelength

488 - 488 nm

SSS - Specify

②: Connector Type

1 - FC/UPC

2 - FC/APC

3 - SC/APC

4 - SC/UPC

N - None

③: Fiber Jacket

B - 250 $\mu$ m Bare Fiber

L - 900 $\mu$ m Loose Tube

S - Specify

④: Fiber Length

1 - 1.0 m

S - Specify