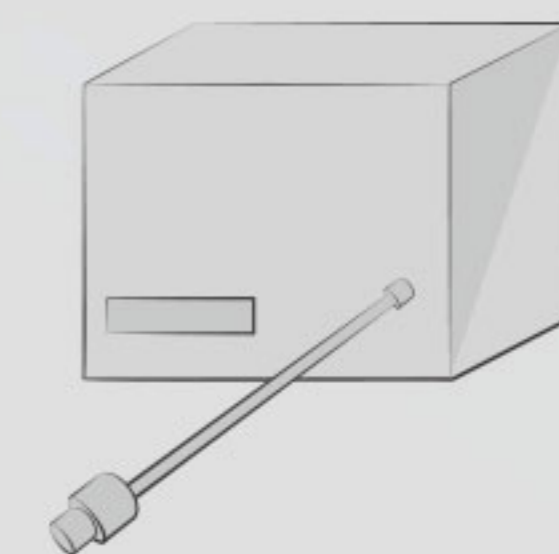
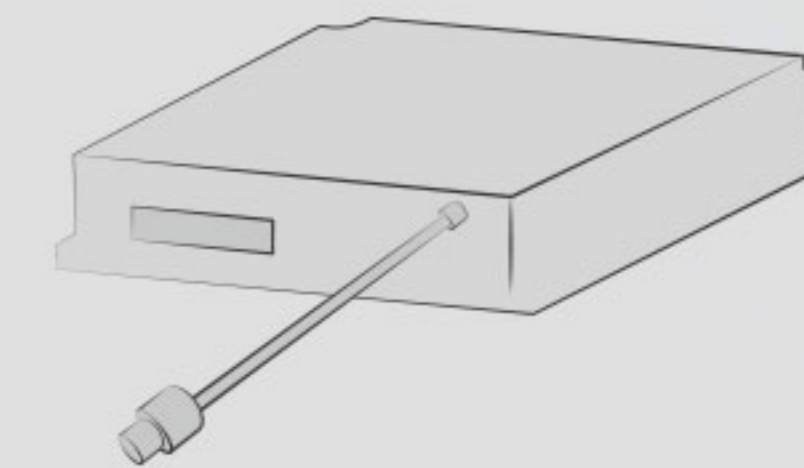
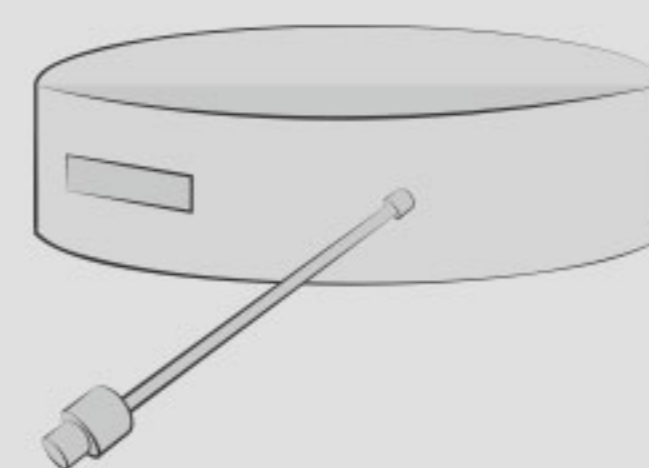


LiDAR Modules & Components



LiDAR Light Source



Customized Modules



Mini Isolator



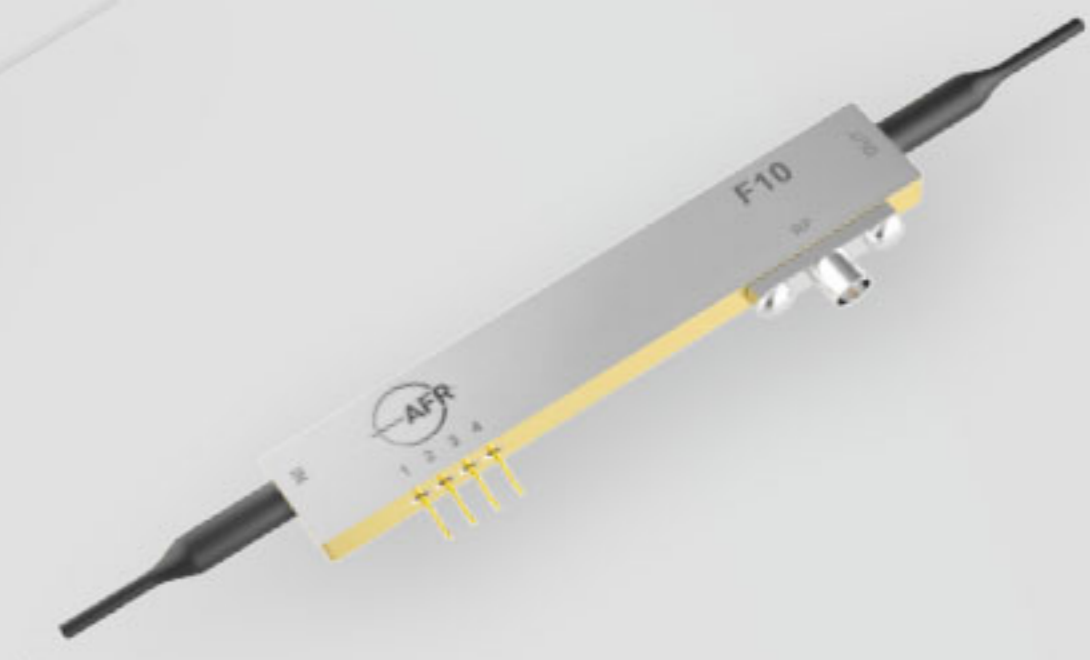
Tap Photodiode



Circulator



Coupler



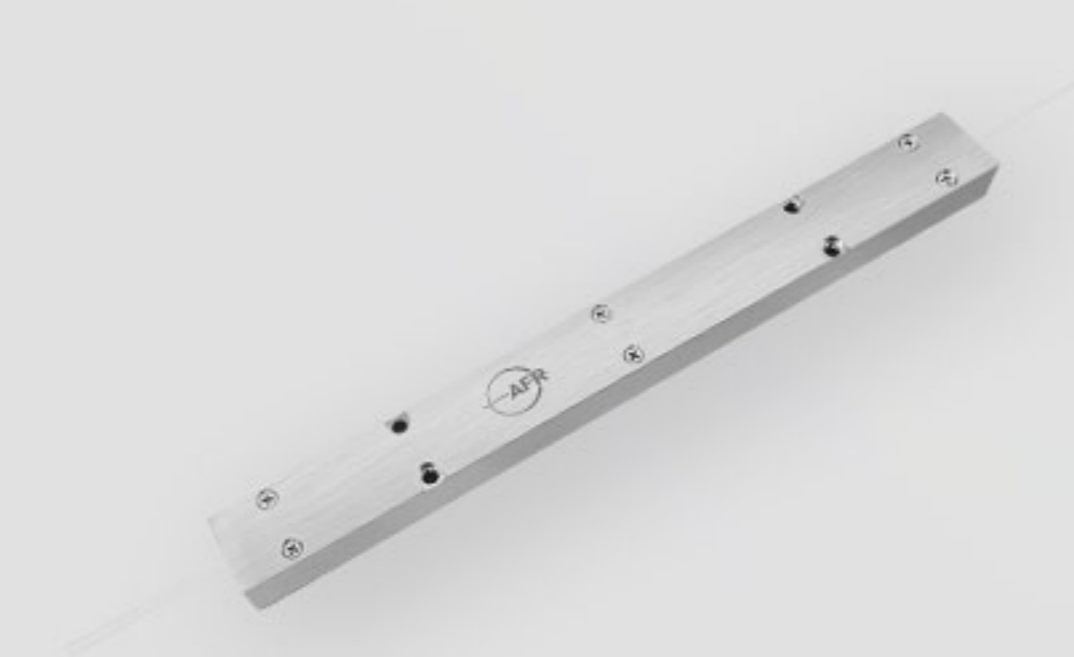
Modulator



Bandpass Filter



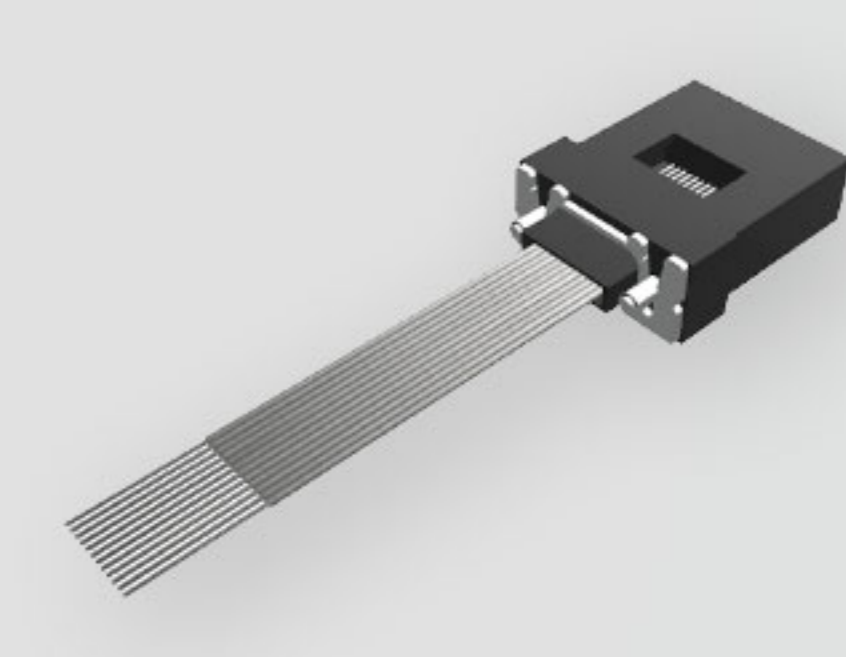
Collimator



(1+1) \times 1 Combiner



Fiber Mirror



Ribbon Fiber

We can customize power handling, fiber type, package size and any other parameter upon request. Please contact sales@fiber-resources.com for special request.

AFR Company Profile

Advanced Fiber Resources (AFR), established in 2000, is a leading supplier of fiber optical components. With its strong R&D and design capabilities, high efficient manufacturing process and strict quality control, AFR designs and manufactures standard and custom components, modulators, and provides contract manufacturing solutions to our customers. Our products are widely used in fiber laser, telecom, data center, fiber sensing, autonomous driving, biomedical equipment, as well as research institutes and universities around the globe. AFR's products have been sold to customers in more than 40 countries and regions worldwide.



20+
Years of History



2017
IPO in China



1500+
Employees



755,000+
Sq-ft Floor Space



130+
Patents



600+
Customers



Advanced Fiber Resources

No. 399, Chuangxin 3rd Road, Tangjia, Zhuhai, China 519080

Tel: +86 756 389 8088

Fax: +86 756 389 8080

E-mail: sales@fiber-resources.com



www.fiber-resources.com