



1064 nm Polarization Beam Combiner/Splitter (PBC/PBS Series)

Description

Rev 11

The 1064 nm Polarization Beam Combiner/Splitter is a compact high performance lightwave component that combines two orthogonal polarization signals into one output fiber. The most common application is to combine the light of two pump lasers into one single fiber to double the pump power. The typical configuration uses two PM fibers as input and SM fiber as output. The device can also be used as a beam splitter.

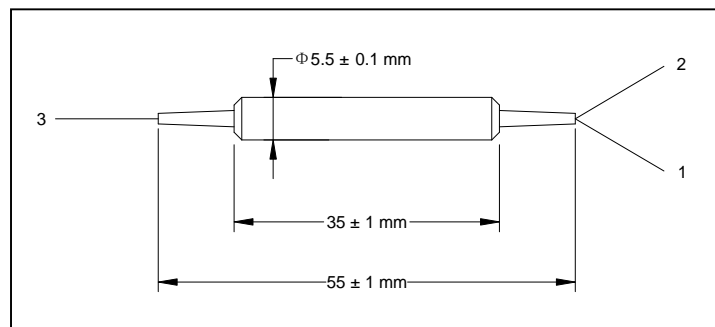
Specifications

Parameter	Unit	Grade P	Grade A
Center Wavelength (λ_c)	nm	1064	
Operating Wavelength Range	nm	$\lambda_c \pm 20$	
Typ. Insertion Loss	dB	0.6	0.7
Max. Insertion loss	dB	0.8	0.9
Min. Extinction Ratio (for splitter only)	dB	22	20
Min. Return Loss	dB	50	
Min. Directivity	dB	50	
Max. Optical Power (Continuous Wave)	mW	500	
Fiber Type		PM 980 Panda Fiber for Ports 1 & 2 HI 1060 or PM Panda Fiber for Port 3	
Max. Tensile Load	N	5	
Operating Temperature	°C	- 5 to + 70	
Storage Temperature	°C	- 40 to + 85	

¹IL is 0.5 dB higher, RL is 5 dB lower, and ER is 2 dB lower for each connector added.

¹Connector key is aligned to slow axis.

Package Dimensions



Ordering Information

PBS-①①-②-③-④-⑤-⑥

①①: Wavelength

06 - 1064 nm

SS - Specify

⑤: Fiber Type for Port 3

1 - HI 1060 Fiber

2 - Slow Axis Aligned 45° to Port 1

3 - Slow Axis Aligned to Port 1

S - Specify

PBC-①①-②-③-④-⑤-⑥

②: Grade

P - Premium

A - A grade

⑥: Fiber Length

Q - 0.75 m

S - Specify

③: Connector Type

1 - FC/UPC

2 - FC/APC

3 - SC/UPC

4 - SC/APC

N - None

S - Specify

④: Fiber Jacket

B - 250 μ m PandaFiber

L - 900 μ m Loose Tube

S - Specify