



## Polarization Maintaining Isolator/Wavelength Division Multiplexer Hybrid (PMIWDM Series)

Rev 11C

### Description

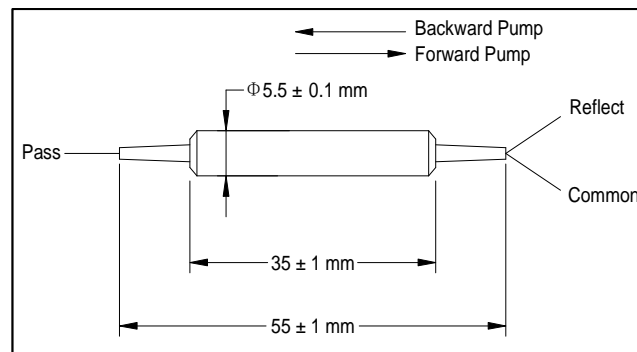
The PMIWDM series combines Filter WDM and Isolator into a compact package to offer cost saving solution. This device is ideal for fiber amplifier application to combine signal and pump wavelengths with very stable 1550 nm signal isolation. It is designed and manufactured according to Telcordia standard.

### Specifications

Parameter	Unit	Single Stage	Dual Stage
Pass Band	Signal Wavelength Range	1530 - 1580	
	Max. Insertion Loss	0.8	1.0
	Forward: Pass → Common		
	Backward: Common → Pass		
	Typ. Peak of Signal Isolation	40	55
	Min. Signal Isolation (1550 ± 10 nm), 23 °C	30	45
	Forward: Common → Pass		
Reflection Band	Wavelength Range	1270 - 1350 or 1450 - 1490	
	Max. Insertion Loss, Reflect → Common	0.6	
Min. Extinction Ratio at 23 °C	dB	20	
Min. Return Loss	dB	50	
Max. Optical Power (Continuous Wave)	mW	300	
Max. Tensile Load	N	5	
Operating Temperature	°C	- 5 to + 70	
Storage Temperature	°C	- 40 to + 85	

\*IL is 0.3 dB higher, RL is 5 dB lower, and ER is 2 dB lower for each connector added. Connector key is aligned to slow axis.

### Package Dimensions



### Ordering Information

**PMIWDM-31-①-②-③-④-⑤-⑥-⑦**      **PMIWDM-48-①-②-③-④-⑤-⑥-⑦**

- |  |   |  |   |
|--|---|--|---|
| ①: Pump Type<br>1 - Forward Pump<br>2 - Backward Pump                                | ②: Stage Type<br>1 - Single Stage<br>2 - Dual Stage | ③: Connector Type<br>1 - FC/UPC<br>2 - FC/APC<br>3 - SC/UPC<br>4 - SC/APC<br>N - None<br>S - Specify | ④: Fiber Jacket<br>B - 250 μm Panda Fiber<br>L - 900 μm Loose Tube<br>S - Specify |
| ⑤: Fiber Type for Reflect Port<br>M - SMF-28 Fiber<br>P - Panda Fiber<br>S - Specify | ⑥: Fiber Length<br>Q - 0.75 m<br>S - Specify        | ⑦: Working Axis<br>F - Fast Axis Blocked<br>B - Both Axis Working                                    |   |