



Optical Mechanical Switch (OMS Series)

Spec Review No.: SR15292

Key Features

- Fast Switching Speed
- Ultra-Low Loss
- Latching or Non-Latching Configuration
- Network Switching

Applications

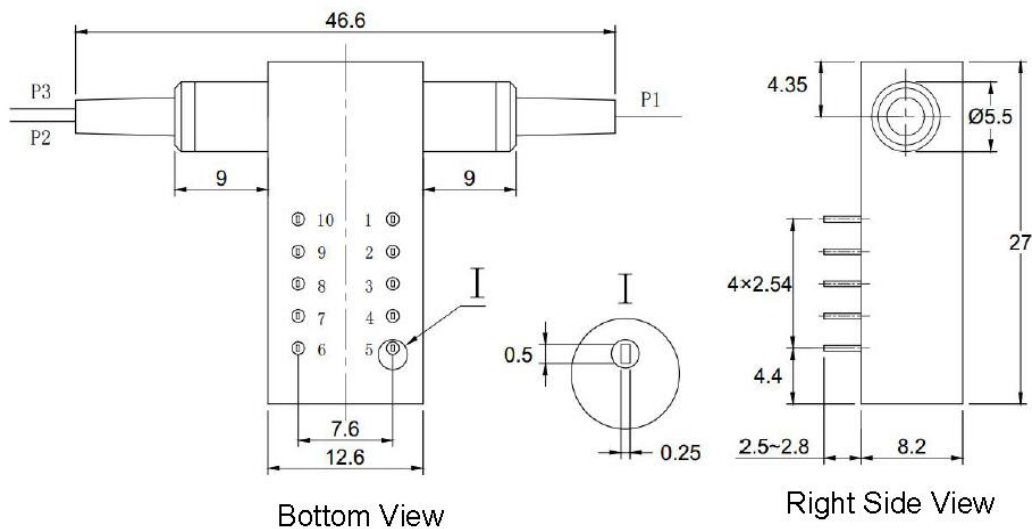
- Configurable Add/Drop
- Network Protection and Restoration
- Instrument, Testing and Measurement

Specifications

Parameter	Unit	Value
Center Wavelength (λ_c)	nm	1260 - 1650
Operation Wavelength Range	nm	1310/1550
Max. Insertion Loss	dB	0.8
Max. Polarization Dependent Loss for SM fiber	dB	0.05
Max. Wavelength Dependent Loss	dB	0.25
Repeatability	dB	± 0.02
Max. Switching Speed	ms	8
Min. Return Loss	dB	50
Min. Channel Cross-talk	dB	55
Current	mA	120
Min. Life time	Time	10^7
Max. Optical Power Handling (Continuous Wave)	mW	500
Operating Temperature	$^{\circ}\text{C}$	- 20 to + 70
Storage Temperature	$^{\circ}\text{C}$	- 40 to + 85
Fiber Type	-	SMF-28

¹IL is 0.3 dB higher, RL is 5 dB lower for each connector added, measured at center wavelength.

Package Dimensions



P1: White P2: Black P3: Red

Ordering Information

SUN-FSW-①-②-③-④-⑤-⑥-⑦-⑧

①: Configuration

1 x 2G

②: Fiber Type

SM: SMF 28e+

M5: MM, 50/125

M6: MM, 62.5/125

X: Others

③: Operating Voltage

3: 3V

5: 5V

④: Switch Type

L - Latching

N - Non-latching

⑤: Test wavelength

850: 850nm

1310: 1310nm

1550: 1550nm

1310/1550: 1310/1550nm

X: Others

⑥: Tube Type

25: 250um

90:900um

X: Others

⑦: Fiber Length

05: 0.5m ± 5cm

10: 1m ±5cm

15: 1 - 1m

X: Others

⑧: Connector

oo: None

FP: FC/PC

FA: FC/APC

SP: SC/PC

SA: SC/APC