



Polarization Maintaining Isolator/Wavelength Division Multiplexer Hybrid (PMIWDM Series)

Rev 11C

Description

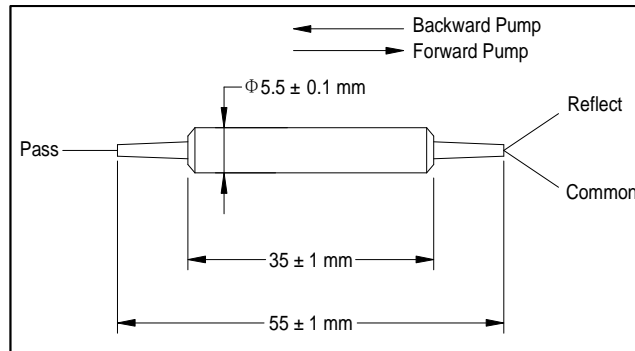
The Polarization Maintaining Isolator/WDM Series combines Filter WDM and isolator into a compact package to offer cost saving solution. This device is ideal for fiber amplifier application to combine signal and pump wavelengths with very stable 1550 nm signal isolation. It is designed and manufactured according to Telcordia standard.

Specifications

Parameter	Unit	Single Stage	Dual Stage
Pass Band	Signal Wavelength Range	1530 - 1580	
	Max. Insertion Loss	0.8	1.0
	Forward: Pass→Common		
	Backward: Common→Pass		
	Typ. Peak of Signal Isolation	40	55
	Min. Signal Isolation (1550 ± 10 nm), 23 °C	30	45
	Forward: Common→Pass Backward: Pass→Common		
Reflection Band	Wavelength Range	1270 - 1350, or 1450 - 1490	
	Max. Insertion Loss, Reflect→Common	0.6	
Min. Extinction Ratio at 23 °C	dB	20	
Min. Return Loss	dB	50	
Max. Optical Power (Continuous Wave)	mW	300	
Max. Tensile Load	N	5	
Operating Temperature	°C	- 5 to + 70	
Storage Temperature	°C	- 40 to + 85	

¹IL is 0.3 dB higher, RL is 5 dB lower, and ER is 2 dB lower for each connector added. Connector key is aligned to slow axis.

Package Dimensions



Ordering Information

PMIWDM-31-①-②-③-④-⑤-⑥-⑦

PMIWDM-48-①-②-③-④-⑤-⑥-⑦

①: Pump Type

②: Stage Type

③: Connector Type

④: Fiber Jacket

1 - Forward Pump

1 - Single Stage

1 - FC/UPC

B - 250 μm Panda Fiber

2 - Backward Pump

2 - Dual Stage

2 - FC/APC

L - 900 μm Loose Tube

3 - SC/UPC

S - Specify

4 - SC/APC

N - None

S - Specify

⑤: Fiber Type for Reflect Port

⑥: Fiber Length

⑦: Working Axis

M - SMF-28 Fiber

Q - 0.75 m

F - Fast Axis Blocked

P - Panda Fiber

S - Specify

B - Both Axis Working

S - Specify