



Coarse Wavelength Division Multiplexers (CWDM Series)

Rev 11B

Description

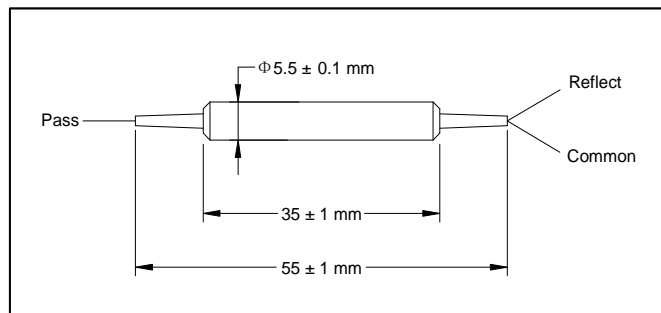
The Coarse Wavelength Division Multiplexer series is designed and manufactured to Telcordia standard. The devices use environmentally stable thin film filter and advanced packaging technology to achieve wide passband, low insertion loss, high channel isolation and excellent environmental stability. They can be used individually to perform single channel add or drop function or can be cascaded into sequence for multi-channel applications in CWDM systems.

Specifications

| Parameter | Unit | Value | |
|--------------------------------------|-------|--|-------------|
| Filter type | - | Half Band | Full Band |
| Operating Wavelength Range | nm | 1460 - 1620 | 1260 - 1620 |
| Center Wavelength | nm | 1470, 1490, 1510, 1530, 1550, 1570, 1590, 1610 | |
| Min. 0.5 dB Pass Bandwidth | nm | 13 | |
| Max. Transmission Insertion Loss | dB | 0.6 | |
| Max. Reflection Insertion Loss | dB | 0.5 | |
| Min. Adjacent Channel Isolation | dB | 25 | |
| Min. Return Loss | dB | 50 | |
| Max. Polarization Dependent Loss | dB | 0.1 | |
| Thermal Stability | dB/°C | 0.005 | |
| Max. Optical Power (Continuous Wave) | mW | 300 | |
| Fiber Type | - | SMF-28 Fiber | |
| Operating Temperature | °C | - 5 to + 70 | |
| Storage Temperature | °C | - 40 to + 85 | |

¹IL is 0.3 dB higher, RL is 5 dB lower for each connector added.

Package Dimensions



Ordering Information

CWDM-①①①①-②-③-④-⑤

| | | | | |
|-------------------------|-------------------|-----------------------|-----------------|----------------|
| ①①①①: Center Wavelength | ②: Connector Type | ③: Fiber Type | ④: Fiber Length | ⑤: Filter Type |
| 1470 - 1470 nm | 1 - FC/UPC | B - 250 μm Bare Fiber | 1 - 1.0 | H - Half Band |
| 1490 - 1490 nm | 2 - FC/APC | L - 900 μm Loose Tube | S - Specify | F - Full Band |
| 1510 - 1510 nm | 3 - SC/UPC | S - Specify | | |
| 1530 - 1530 nm | 4 - SC/APC | | | |
| 1550 - 1550 nm | N - None | | | |
| 1570 - 1570 nm | S - Specify | | | |
| 1590 - 1590 nm | | | | |
| 1610 - 1610 nm | | | | |
| SS - Specify | | | | |