



In-Line Polarizer (ILP Series)

Description

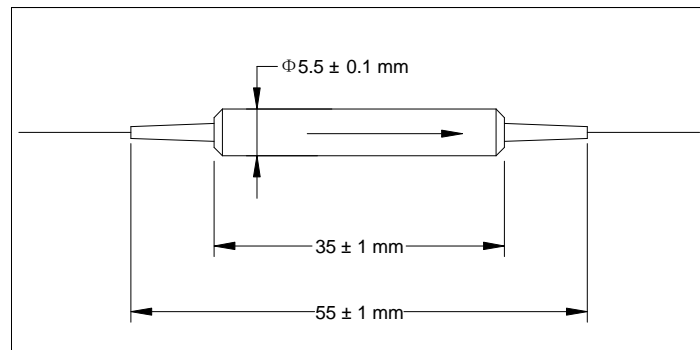
The In-Line Polarizer is designed to pass light with one specific polarization while blocking the other polarization. It can be used to convert unpolarized light into polarized light with high extinction ratio. It can also be used to enhance the extinction ratio of signals with its excellent polarization properties. It is ideal for high speed communication systems and test instrumentations where high polarization extinction ratio is required.

Specifications

| Parameters | Unit | Values |
|--------------------------------------|------|---------------------|
| Center Wavelength (λ_c) | nm | 1310, 1480, or 1550 |
| Operating Wavelength Range | nm | $\lambda_c \pm 50$ |
| Typ. Insertion Loss, 23 °C | dB | 0.3 |
| Max. Insertion Loss | dB | 0.5 |
| Typ. Extinction Ratio, 23 °C | dB | 30 |
| Min. Extinction Ratio, 23 °C | dB | 28 |
| Max. Optical Power (Continuous Wave) | mW | 300 |
| Min. Return Loss | dB | 50 |
| Operating Temperature | °C | - 5 to + 70 |
| Storage Temperature | °C | - 40 to + 85 |

*IL is 0.3 dB higher, RL is 5 dB lower, and ER is 2 dB lower for each connector added. Connector key is aligned to slow axis.

Package Dimensions



Ordering Information

ILP-①①-②-③-④-⑤

| ①①: Wavelength | ②: Connector Type | ③: Fiber Jacket | ④: Fiber Type (Input/Output) | ⑤: Fiber Length |
|----------------|-------------------|----------------------------|------------------------------|-----------------|
| 31 - 1310 nm | 1 - FC/UPC | B - 250 μ m Bare Fiber | 1 - PM/PM | Q - 0.75 m |
| 48 - 1480 nm | 2 - FC/APC | L - 900 μ m Loose Tube | 2 - SMF/PM | S - Specify |
| 55 - 1550 nm | 3 - SC/UPC | S - Specify | 3 - SMF/SMF | |
| SS - Specify | 4 - SC/APC | | | |
| | N - None | | | |
| | S - Specify | | | |