



# Polarization Maintaining Integrated Tap Power Detector (PMTAPD)

REV 11B

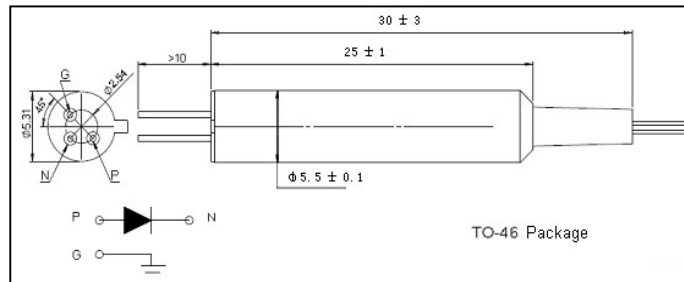
## Specifications

Parameter	Unit	Value
Center Wavelength ( $\lambda_c$ )	nm	1064
Max. Insertion Loss-5%	dB	0.8
Min. Extinction Ratio	dB	18
Min. Return Loss	dB	45
Min. Responsivity-5%	mA/W	21
Max. Responsivity Temperature Dependence ( $\lambda_c$ )	dB	0.3
Max. Responsivity Polarization Dependence	dB	0.1
Dark Current (70 °C, -5 V bias)	nA	10
Max. Power on photodetector	mW	10
Fiber Type		Fujikura PM 980 Fiber
Operating Temperature	°C	0 to +70
Storage Temperature	°C	-40 to +85
Soldering temperature(> 2 mm from head, < 5 s)	°C	≤ 260

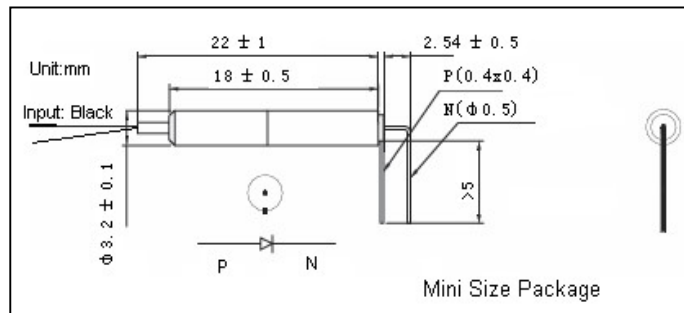
\* IL is 0.5 dB higher, RL is 5 dB lower and ER is 2 dB lower for a pair of connector added. Connector key is aligned to slow axis.

## Package Dimensions

### TO-46 Package



### Mini Size Package



## Ordering Information

### PMTAPD-①①-②②-③③-④④-⑤⑤-⑥⑥

①①: Center Wavelength 06 - 1064 nm	②②: Tap Ratio 05 - 5%	③③: Connector type 1 - FC/UPC 2 - FC/APC 3 - SC/UPC 4 - SC/APC N - None	④④: Fiber Jacket B - 250 μm Panda fiber L - 900 μm Loose Tube S - Specify	⑤⑤: Fiber Length Q - 0.75 m S - Specify
⑥⑥: Package Type 1 - TO-46 Package 2 - Mini Size Package				