



2 in 1 Polarization Insensitive Isolator (TPI Series)

Description

Rev 11

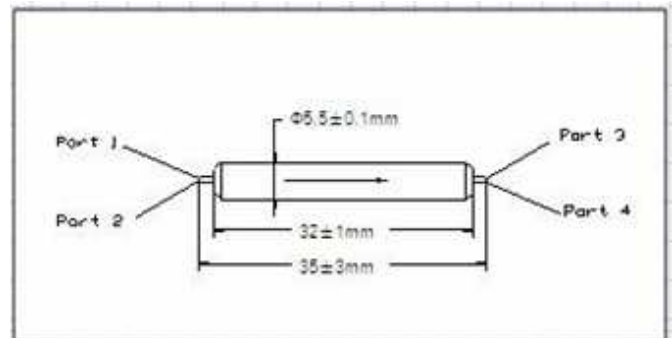
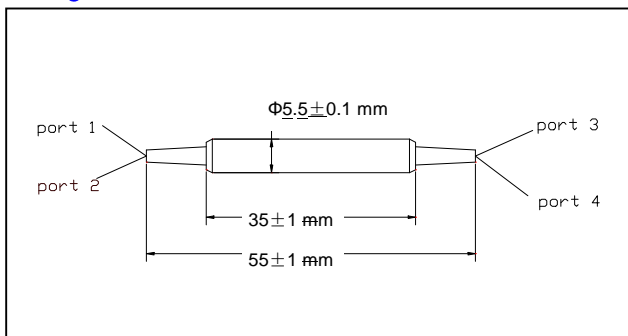
The Twin Isolator integrates two independent isolators into one standard isolator package and is excellently suited for EDFAs or instrumentation designs where two or more isolators are used. The Twin Isolator offers excellent temperature stability, low IL loss, high isolation, low temperature dependence and great space saving.

Specifications

Parameter	Unit	Single Stage	Dual Stage
Center Wavelength (λ_c)	nm	Grade P 1310, 1480, 1550	
Typ. Peak Isolation (Port 4 to Port 1, Port 3 to Port 2)	dB	40	54
Min. Isolation (Port 4 to Port 1, Port 3 to Port 2), $\lambda_c \pm 10$ nm, 23 °C, all polarization	dB	30	42
Typ. Insertion Loss (Port 1 to Port 4, Port 2 to Port 3), λ_c , 23 °C, all polarization	dB	0.5	0.6
Max. Insertion Loss (Port 1 to Port 4, Port 2 to Port 3), $\lambda_c \pm 20$ nm, all polarization	dB	0.65	0.8
Min. Return Loss (Input/Output)	dB	55/55	55/55
Directivity (Port 1 to Port 2, Port 3 to Port 4), λ_c , 23 °C	dB	55	55
Min. Crosstalk (Port 1 to Port 3, Port 2 to Port 4), λ_c , 23 °C	dB	50	50
Max. Polarization Dependent Loss, λ_c , 23 °C	dB	0.1	0.1
Max. Polarization Mode Dispersion	ps	0.2	0.05
Max. Optical Power (Continuous Wave)	mW	300	
Max. Tensile Load	N	5	
Operating Temperature	°C	- 5 to + 70	
Storage Temperature	°C	- 40 to + 85	

¹IL is 0.3 dB higher and RL is 5 dB lower for each connector added.

Package Dimensions



Ordering Information

TPI-①-②②-③-④-⑤-⑥-⑦

①: Stage	③: Grade	⑤: Connector Type	⑥: Fiber Type	⑦: Fiber Length
1- Single Stage	P - Premium	1 - FC/UPC	B - 250um Bare Fiber	1 - 1 m
2- Dual Stage		2 - FC/APC	L - 900um Loose Tube	S - Specify
		3 - SC/UPC	S - Specify	
②②: Wavelength	④: PMD	4 - SC/APC		
31 - 1310 nm	2 - Refer to above spec	N - None		
48 - 1480 nm		S - Specify		
55 - 1550 nm				
SS - Specify				