



## High Power Polarization Insensitive Circulator (HPCIR Series)

Rev 11E

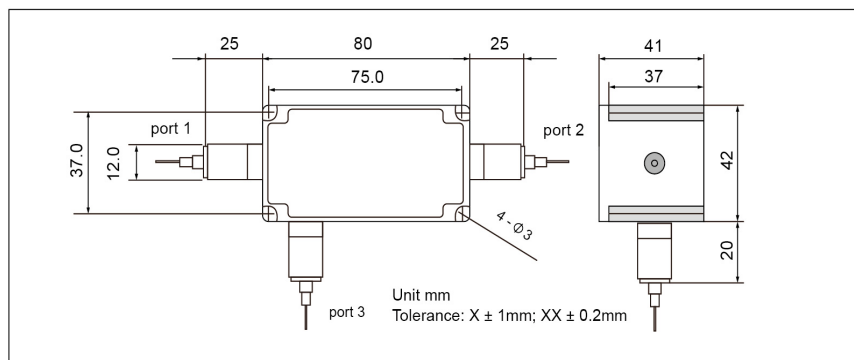
### Description

The High Power Polarization Insensitive Circulator is characterized with low insertion loss, high isolation, high power handling, high return loss. It is ideal for fiber laser and instrumentation applications.

### Specifications

| Parameter                           | Unit | Value              |
|-------------------------------------|------|--------------------|
| Center Wavelength ( $\lambda_c$ )   | nm   | 1064               |
| Operating Wavelength Range          | nm   | $\lambda_c \pm 10$ |
| Typ. Peak Isolation                 | dB   | 25                 |
| Min. Isolation, $\lambda_c$ , 23 °C | dB   | 22                 |
| Typ. Insertion Loss, 23 °C          | dB   | 0.8                |
| Max. Insertion Loss, 23 °C          | dB   | 1                  |
| Max. Polarization Dependent Loss    | dB   | 0.2                |
| Min. Crosstalk                      | dB   | 45                 |
| Min. Return Loss                    | dB   | 45                 |
| Max. Average Optical Power          | W    | 10                 |
| Max. Peak Power for ns Pulse        | kW   | 10                 |
| Max. Tensile Load                   | N    | 5                  |
| Fiber Type                          | -    | HI 1060 Fiber      |
| Operating Temperature               | °C   | + 10 to + 50       |
| Storage Temperature                 | °C   | 0 to + 60          |

### Package Dimensions



### Ordering Information

HPCIR-①①-②②-③-④-⑤-⑥-⑦

①①: Wavelength

06 - 1064 nm

SS - Specify

②②: Handling Power

03 - 3 W

10 - 10 W

SS - Specify

③: Connector Type

N - None

④: Fiber Jacket

B - 250  $\mu$ m Bare Fiber

L - 900  $\mu$ m Loose Tube

S - Specify

⑤: Fiber Length

1 - 1.0 m

S - Specify

⑥: Fiber Type

1 - HI 1060 Fiber

2 - Nufern FUD-3584 fiber

3 - Nufern LMA-GDF-20/130-M

S - Specify

⑦: Power Type

P - Pulse Application

C - Continuous Wave