



## Mini 2 in 1 Polarization Insensitive Isolator (MTPI Series)

Rev 11B

### Description

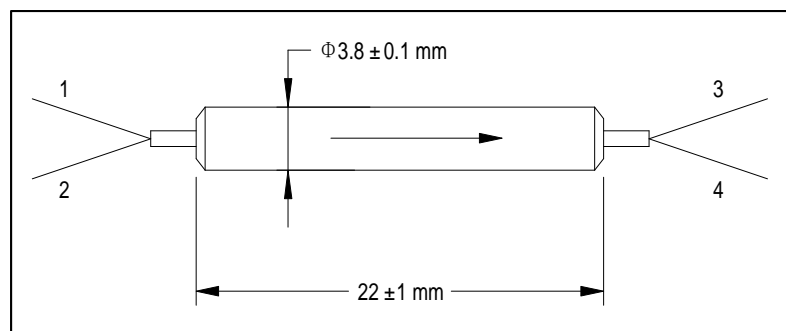
The Twin Isolator integrates two independent isolators into one standard isolator package and is excellently suited for EDFAs or instrumentation designs where two or more isolators are used. The Twin Isolator offers excellent temperature stability, low insertion loss, high isolation, low temperature dependence and great space saving.

### Specifications

Parameter	Unit	Dual Stage	
		Grade P	Grade A
Center Wavelength ( $\lambda_c$ )	nm	1550	
Typ. Peak Isolation (4 → 1, 3 → 2)	dB	52	50
Min. Isolation (4 → 1, 3 → 2), $\lambda_c \pm 15$ nm, 23 °C, all polarization	dB	40	38
Typ. Insertion Loss (1 → 4, 2 → 3), $\lambda_c$ , 23 °C, all polarization	dB	0.60	0.75
Max. Insertion Loss (1 → 4, 2 → 3), $\lambda_c \pm 20$ nm, all polarization	dB	0.9	1.0
Min. Return Loss (Input/Output)	dB	55/55	55/55
Min. Directivity (1 → 2, 3 → 4), $\lambda_c$ , 23 °C	dB	55	55
Min. Crosstalk (1 → 3, 2 → 4), $\lambda_c$ , 23 °C	dB	50	50
Max. Polarization Dependent Loss, $\lambda_c$ , 23 °C	dB	0.1	0.2
Max. Polarization Mode Dispersion	ps	0.07	0.1
Max. Optical Power (Continuous Wave)	mW	300	
Max. Tensile Load	N	5	
Operating Temperature	°C	- 5 to + 70	
Storage Temperature	°C	- 40 to + 85	

<sup>1</sup>IL is 0.3 dB higher and RL is 5 dB lower for each connector added.

### Package Dimensions



### Ordering Information

MTPI-①-②②-③-④-⑤-⑥-⑦

①: Stage	②②: Wavelength	③: Grade	④: PMD
2 - Dual Stage	55 - 1550 nm SS - Specify	P - Premium A - A Grade	2 - Refer to above spec
⑤: Connector Type	⑥: Fiber Type	⑦: Fiber Length	
1 - FC/UPC    4 - SC/APC	B - 250 $\mu$ m Bare Fiber	1 - 1.0 m	
2 - FC/APC    N - None	S - Specify	S - Specify	
3 - SC/UPC    S - Specify			