

## Polarization Maintaining Isolator/Wavelength Division Multiplexer Hybrid (PMIWDM Series)

Rev 11B

### Description

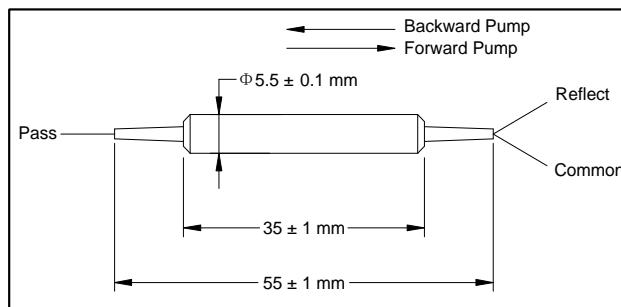
The PMIWDM Series combines Filter WDM and isolator into a compact package to offer cost saving solution. This device is ideal for fiber amplifier application to combine signal and pump wavelengths with very stable 1550 nm signal isolation. It is designed and manufactured according to Telcordia standard.

### Specifications

Parameter	Unit	Single Stage	Dual Stage
Pass Band	Signal Wavelength Range		1530 - 1580
	Max. Insertion Loss	1.0	1.2
	Forward: Pass → Common	-	
	Backward: Common → Pass	-	
	Typ. Peak of Signal Isolation	40	55
	Min. Signal Isolation (1550 ± 10 nm), 23 °C	30	45
	Forward: Common → Pass	-	
Reflection Band	Wavelength Range		950 - 1010
	Max. Insertion Loss, Reflect→Common		0.6
	Min. Extinction Ratio at 23 °C		20
Min. Return Loss			50
Max. Optical Power (Continuous Wave)	mW		300
Fiber Type	-	PM 1550 Panda Fiber for Pass Port PM 980 Panda Fiber for Common Port HI 1060 or PM 980 Panda Fiber for Reflect Port	
Max. Tensile Load	N		5
Operating Temperature	°C		- 5 to + 70
Storage Temperature	°C		- 40 to + 85

\*IL is 0.5 dB higher, RL is 5 dB lower, and ER is 2 dB lower for each connector added. Connector key is aligned to slow axis.

### Package Dimensions



### Ordering Information

PMIWDM-98-①-②-③-④-⑤-⑥-⑦

①: Pump Type	②: Stage Type	③: Connector Type	④: Fiber Jacket
1 - Forward Pump	1 - Single Stage	1 - FC/UPC	B - 250 $\mu$ m Panda Fiber
2 - Backward Pump	2 - Dual Stage	2 - FC/APC	L - 900 $\mu$ m Loose Tube
		3 - SC/UPC	S - Specify
		4 - SC/APC	
		N - None	
		S - Specify	
⑤: Fiber Type for Reflect Port	⑥: Fiber Length	⑦: Working Axis	
H - HI1060 Fiber	Q - 0.75 m	F - Fast Axis Blocked	
P - PM980 Panda Fiber	S - Specify	B - Both Axis Working	
S - Specify			