

High Power Polarization Maintaining Isolator (HI Series)

Description

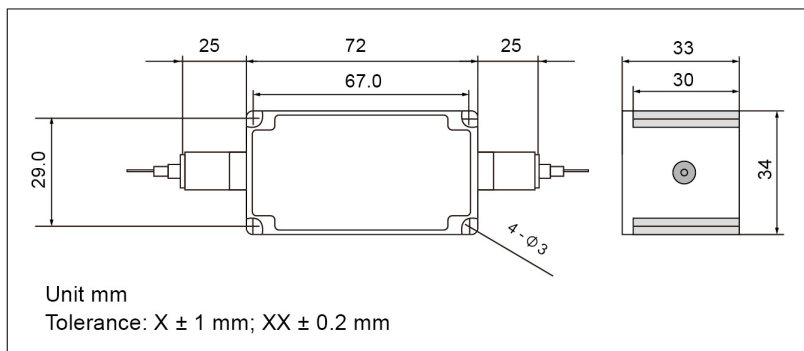
Rev 11C

The 980 nm High Power Polarization Maintaining Isolator is characterized with low insertion loss, high isolation, high power handling, high return loss, excellent environmental stability and reliability. It is ideal for fiber laser and instrumentation applications.

Specifications

Parameter	Unit	Value
Center Wavelength (λ_c)	nm	980
Operating Wavelength Range	nm	$\lambda_c \pm 10$
Typ. Peak Isolation	dB	30
Min. Isolation, λ_c , 23 °C, all polarization states	dB	25
Typ. Insertion Loss, 23 °C	dB	0.8
Max. Insertion Loss, 23 °C	dB	1
Min. Return Loss (Input/Output)	dB	45/45
Min. Extinction Ratio	dB	20
Max. Average Optical Power	W	20
Max. Peak Power for ns Pulse	kW	10
Max. Tensile Load	N	5
Fiber Type	-	PM 980 Fiber
Operating Temperature	°C	+ 10 to + 50
Storage Temperature	°C	0 to + 60

Package Dimensions



Ordering Information

HPMI-①①-②②-③-④-⑤-⑥-⑦-⑧

①①: Wavelength

98 - 980 nm

SS - Specify

②②: Handling Power

03 - 3 W

10 - 10 W

20 - 20 W

SS - Specify

③: Connector Type

N - None

④: Fiber Jacket

B - 250 μ m Bare Fiber

L - 900 μ m Loose Tube

S - Specify

⑤: Fiber Length

Q - 0.75 m

S - Specify

⑥: Working Axis

F - Fast Axis Blocked

B - Both Axis Working

⑦: Fiber Type

1 - PM 980 Panda Fiber

2 - Nufern-FUD-3460 Fiber

3 - Nufern-PLMA-GDF-20/130-M

S - Specify

⑧: Power Type

P - Pulse Application

C - Continuous Wave