



LaseGuard™ Isolator Series

Description

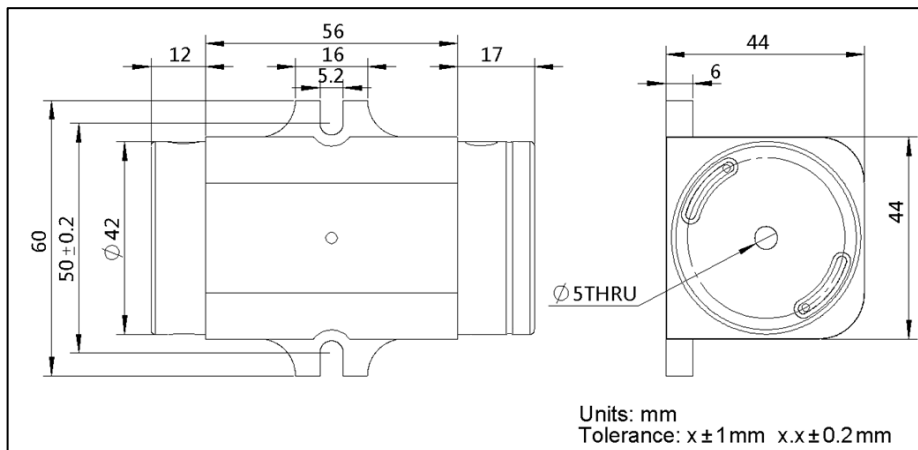
Rev 11B

AFR's LaseGuard™ Isolator Series are designed for guarding the laser from back reflected light. The isolator normally rotate the polarized plane for 45° clockwise in the forward direction, an $\lambda/2$ waveplate is in option if other output polarization is preferred. The high transmission efficiency, high isolation, high power handling ability and large aperture features make it flexible to fit different applications in laser protection.

Specifications

Parameter	Unit	Value
Center Wavelength (λ_c)	nm	1060 or specified
Peak Transmission (λ_c , 23 °C)	%	> 95
Peak Isolation (λ_c , 23 °C)	dB	> 35
Input Polarization	-	specified
Output Polarization	-	specified
Aperture	mm	5 or specified
Optical Average Power	W	100 or specified
Damage Threshold	-	10 J/cm ² @ 10 ns 1 J/cm ² @ 8 ps
Operating Temperature	°C	+ 10 to + 30
Storage temperature	°C	0 to + 60

Package Dimensions



Ordering Information

LaseGuard-I-F-①①①①-②-③③③-④④-⑤⑤

①①①①: Wavelength	②: Aperture (≤ 5 mm)	③③③: Power Handling	④④: Input Polarization	⑤⑤: Output Polarization
1030 - 1030 nm	5 - $\Phi 5.0$ mm	100 - 100 W	00 - Horizontal	00 - Horizontal
SSSS - Specify	S - Specify	SSS - Specify	45 - 45 Degree	45 - 45 Degree
			90 - Vertical	90 - Vertical
			SS - Specify	SS - Specify