



## Filter Wavelength Division Multiplexer (FWDM Series )

Rev 11

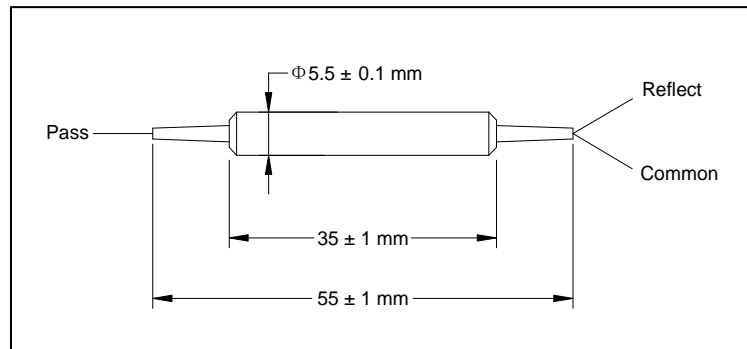
The Filter Wavelength Division Multiplexer is based on environmentally stable thin-film filter technology. The devices combine or separate light at different wavelength in a wide wavelength range. They offer very low insertion loss, low polarization dependence, high isolation and excellent environmental stability. High power handling capability can be achieved through unique pigtail processing and high quality AR coating. These components have been extensively used in EDFAs, Raman amplifiers, WDM networks and fiber optical instruments.

### Specifications

Parameter	Unit	Value
Pass Band	Wavelength Range	980 ± 10
	Max. Insertion Loss	0.7
	Min. Isolation	25
Reflection Band	Wavelength Range	1060 ± 40
	Max. Insertion Loss	0.6
	Min. Isolation	12
Min. Return Loss	dB	50
Max. Polarization Dependent Loss	dB	0.1
Thermal Stability	dB/°C	0.005
Max. Optical Power (Continuous Wave)	mW	300
Max. Tensile Load	N	5
Fiber Type		HI 1060 fiber
Operating Temperature	°C	-5 to +70
Storage Temperature	°C	-40 to +85

\*IL is 0.5 dB higher, RL is 5 dB lower for each connector added.

### Package Dimensions



### Ordering Information

**FWDM-①①①①-②-③-④**

①①①①: Wavelength  
9806 - 980 Pass/1060 Reflect  
SSSS - Specify

②: Connector Type  
1 - FC/UPC  
2 - FC/APC  
3 - SC/UPC  
4 - SC/APC  
N - None  
S - Specify

③: Fiber Jacket  
B - 250 μm bare fiber  
L - 900 μm loose tube  
S - Specify

④: Fiber Length  
1 - 1.0 m  
S - Specify