



# 1064 nm High Power Polarization Maintaining Isolator for Pulse Application (HPMI Series)

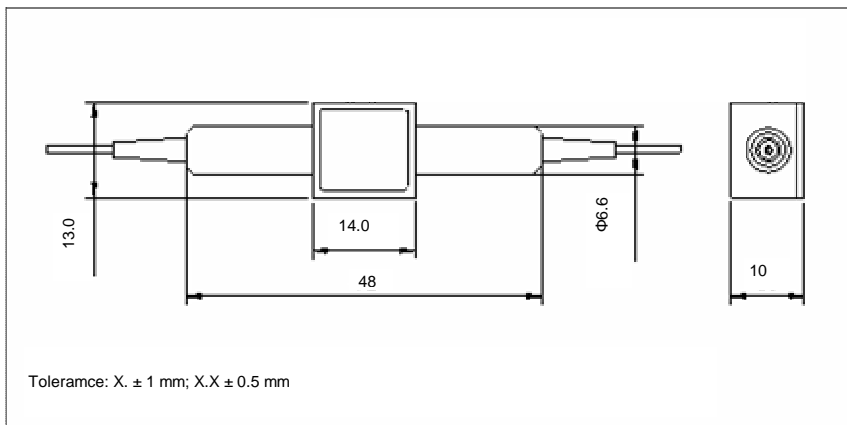
Rev 10 B

The 1064 nm High Power Polarization Maintaining Isolator is characterized with low insertion loss, high isolation, high power handling, high return loss, excellent environmental stability and reliability. It is ideal for fiber laser and instrumentation applications.

## Specifications

Parameter	Unit	Grade P	Grade A
Center Wavelength ( $\lambda_c$ )	nm	1064 nm or specify	
Min. Extinction Ratio	dB	20	18
Typ. Peak Isolation	dB	35	30
Min. Isolation, $\lambda_c$ , 23 °C, all polarization states	dB	30	28
Typ. Insertion Loss, 23 °C	dB	1.3	1.6
Max. Insertion Loss, 23 °C	dB	1.6	1.9
Min. Return Loss (Input/Output)	dB	50/50	45/45
Max. Average Optical Power	mW	500	
Max. Peak Power for ns pulse	kW	10	
Max. Tensile Load	N	5	
Fiber Type		PM 980 Panda fiber	
Operating Temperature	°C	0 to +50	
Storage Temperature	°C	-20 to +75	

## Package Dimensions



## Ordering Information

HPMI500-①①-②-③-④-⑤-⑥-P

①①: Wavelength

06 - 1064 nm

SS - Specify

②: Grade

P - Premium

A - A grade

③: Connector Type

N - None

④: Fiber Jacket

B - 250  $\mu$ m Panda fiber

L - 900  $\mu$ m loose tube

S - Specify

⑤: Fiber Length

Q - 0.75 m

S - Specify

⑥: Working Axis

F - Fast axis blocked

B - Both axes working