



1064 nm High Power Polarization Maintaining Isolator (HPMI Series)

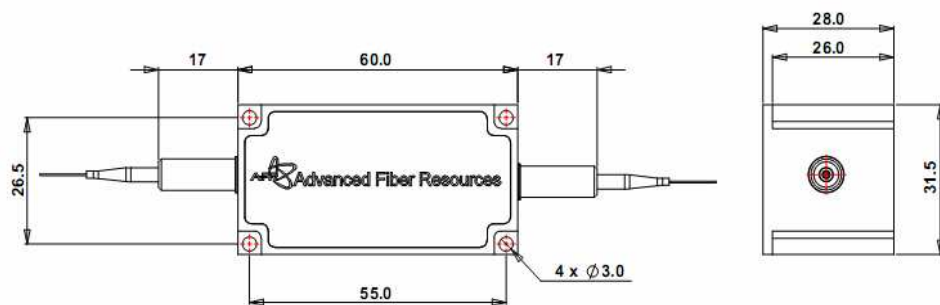
Rev 10 B

The 1064 nm High Power Polarization Maintaining Isolator is characterized with low insertion loss, high isolation, high power handling, high return loss, excellent environmental stability and reliability. It is ideal for fiber laser and instrumentation applications.

Specifications

| Parameter | Unit | Grade P | Grade A |
|--|------|--------------------|---------|
| Center Wavelength (λ_c) | nm | 1064 nm or specify | |
| Min. Extinction Ratio | dB | 20 | 20 |
| Typ. Peak Isolation | dB | 26 | 24 |
| Min. Isolation, λ_c , 23 °C, all polarization states | dB | 23 | 20 |
| Typ. Insertion Loss, 23 °C | dB | 1.3 | 1.5 |
| Max. Insertion Loss, 23 °C | dB | 1.5 | 1.7 |
| Min. Return Loss (Input/Output) | dB | 45/45 | 40/40 |
| Max. Optical Power (Continuous Wave) | W | 3 | |
| Max. Tensile Load | N | 5 | |
| Fiber Type | | PM 980 Panda fiber | |

Package Dimensions



Tolerance: X \pm 1 mm; X.X \pm 0.5 mm

Ordering Information

HPMI3-①①-②-③-④-⑤-⑥

| | | | | |
|----------------|-------------|-------------------|-----------------------------|-----------------|
| ①①: Wavelength | ②: Grade | ③: Connector Type | ④: Fiber Jacket | ⑤: Fiber Length |
| 06 - 1064 nm | P - Premium | N - None | B - 250 μ m Panda fiber | Q - 0.75 m |
| SS - Specify | A - A grade | | D - 400 μ m Panda fiber | S - Specify |
| | | | L - 900 μ m loose tube | |
| | | | S - Specify | |

⑥: Working Axis
 F - Fast axis blocked
 B - Both axes working