



1064 nm High Power Polarization Maintaining Isolator (HPMI Series)

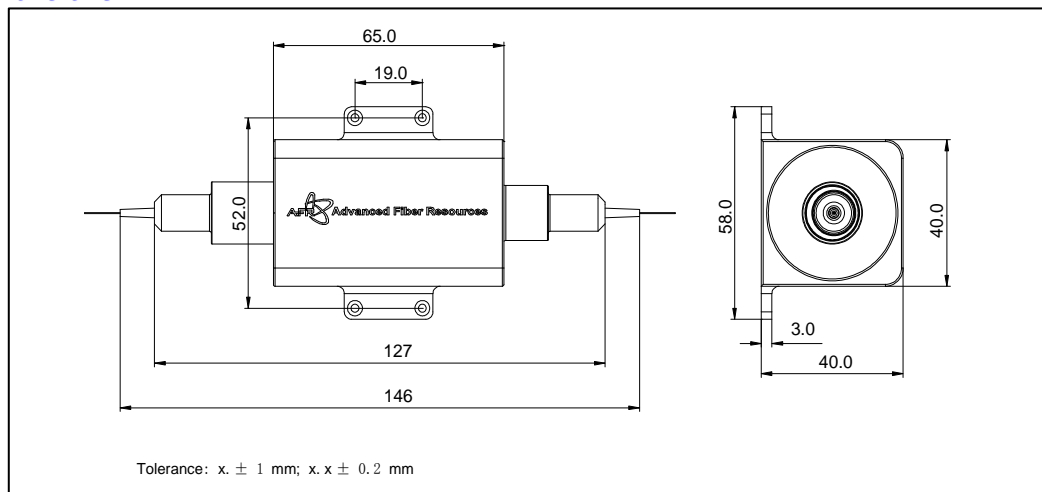
Rev 10

The 1064 nm High Power Polarization Maintaining Isolator is characterized with low insertion loss, high isolation, high power handling, high return loss, excellent environmental stability and reliability. It is ideal for fiber laser and instrumentation applications.

Specifications

Parameter	Unit	Grade P	Grade A
Center Wavelength (λ_c)	nm	1064 nm or specify	
Min. Extinction Ratio	dB	20	18
Typ. Peak Isolation	dB	35	30
Min. Isolation, λ_c , 23 °C, all polarization states	dB	30	25
Typ. Insertion Loss, 23 °C	dB	1.2	1.5
Max. Insertion Loss, 23 °C	dB	1.5	1.7
Min. Return Loss (Input/Output)	dB	45/45	40/40
Max. Optical Power (Continuous Wave)	W	20	
Max. Tensile Load	N	5	
Fiber Type		PM 980 Panda fiber	

Package Dimensions



Ordering Information

HPMI20-①①-②-③-④-⑤-⑥

①①: Wavelength

②: Grade

③: Connector Type

④: Fiber Jacket

⑤: Fiber Length

06 - 1064 nm

P - Premium

N - None

B - 250 μ m Panda fiber

Q - 0.75 m

SS - Specify

A - A grade

D - 400 μ m Panda fiber

S - Specify

L - 900 μ m loose tube

S - Specify

⑥: Working Axis

F - Fast axis blocked

B - Both axes working