



## 1064 nm High Power Polarization Maintaining Isolator (HPMI Series)

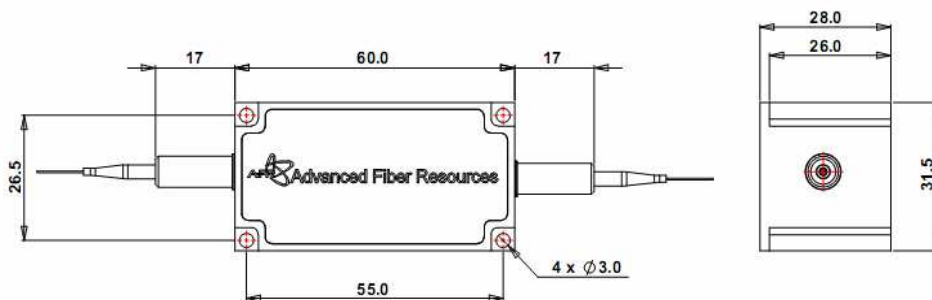
Rev 10 B

The 1064 nm High Power Polarization Maintaining Isolator is characterized with low insertion loss, high isolation, high power handling, high return loss, excellent environmental stability and reliability. It is ideal for fiber laser and instrumentation applications.

### Specifications

Parameter	Unit	Grade P	Grade A
Center Wavelength ( $\lambda_c$ )	nm	1064 nm or specify	
Min. Extinction Ratio	dB	20	20
Typ. Peak Isolation	dB	26	24
Min. Isolation, $\lambda_c$ , 23 °C, all polarization states	dB	23	20
Typ. Insertion Loss, 23 °C	dB	1.3	1.5
Max. Insertion Loss, 23 °C	dB	1.5	1.7
Min. Return Loss (Input/Output)	dB	45/45	40/40
Max. Optical Power (Continuous Wave)	W	10	
Max. Tensile Load	N	5	
Fiber Type		PM 980 Panda fiber	

### Package Dimensions



Tolerance: X ± 1 mm; X.X ± 0.5 mm

### Ordering Information

**HPMI10-①①-②-③-④-⑤-⑥**

- |                |             |                   |                             |                 |
|----------------|-------------|-------------------|-----------------------------|-----------------|
| ①①: Wavelength | ②: Grade    | ③: Connector Type | ④: Fiber Jacket             | ⑤: Fiber Length |
| 06 - 1064 nm   | P - Premium | N - None          | B - 250 $\mu$ m Panda fiber | Q - 0.75 m      |
| SS - Specify   | A - A grade |                   | D - 400 $\mu$ m Panda fiber | S - Specify     |
|                |             |                   | L - 900 $\mu$ m loose tube  |                 |
|                |             |                   | S - Specify                 |                 |

- ⑥: Working Axis  
 F - Fast axis blocked  
 B - Both axes working