



## 1064 nm High Power Polarization Insensitive Isolator for Pulse Application (HI Series)

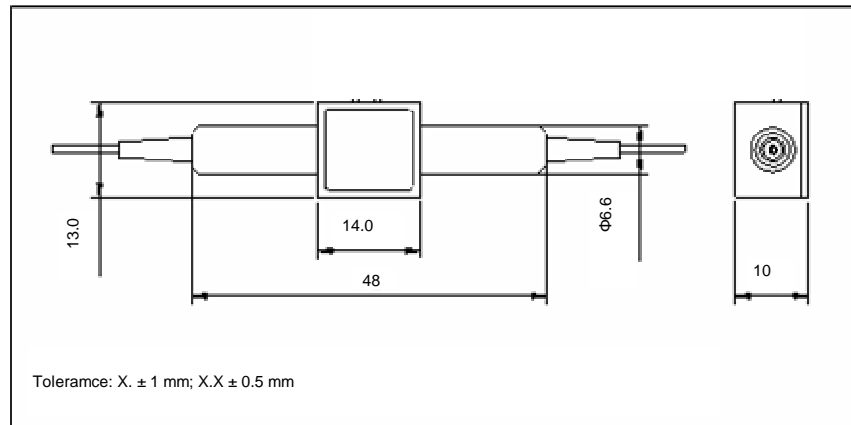
Rev 10 B

The 1064 nm High Power Polarization Insensitive Isolator is characterized with low insertion loss, high isolation, high power handling, high return loss, excellent environmental stability and reliability. It is ideal for fiber laser and instrumentation applications.

### Specifications

Parameter	Unit	Grade P	Grade A
Center Wavelength ( $\lambda_c$ )	nm	1064 nm or specify	
Max. Polarization Dependent Loss	dB	0.1	0.15
Typ. Peak Isolation	dB	35	30
Min. Isolation, $\lambda_c$ , 23 °C, all polarization states	dB	30	28
Typ. Insertion Loss, 23 °C	dB	1.3	1.6
Max. Insertion Loss, 23 °C	dB	1.6	1.9
Min. Return Loss (Input/Output)	dB	50/50	45/45
Max. Average Optical Power	mW	500	
Max. Peak Power for ns pulse	kW	10	
Max. Tensile Load	N	5	
Fiber Type		HI 1060 fiber	
Operating Temperature	°C	0 to +50	
Storage Temperature	°C	-20 to +75	

### Package Dimensions



### Ordering Information

HI500-①①-②-③-④-⑤-P

①①: Wavelength

06 - 1064 nm

SS - Specify

②: Grade

P - Premium

A - A grade

③: Connector Type

N - None

④: Fiber Jacket

B - 250  $\mu$ m bare fiber

L - 900  $\mu$ m loose tube

S - Specify

⑤: Fiber Length

1 - 1.0 m

S - Specify