



## High Power Polarization Insensitive Isolator (HI Series)

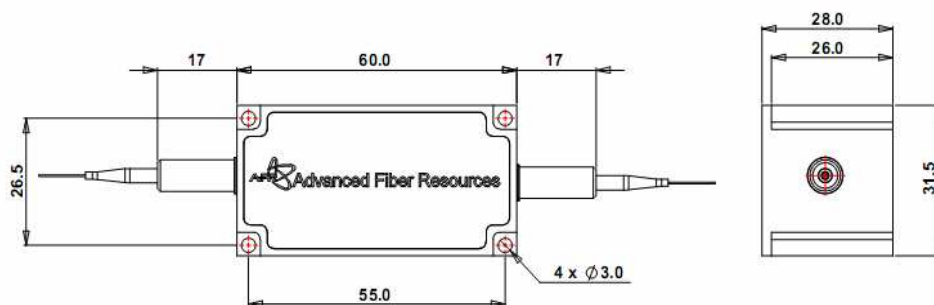
Rev 10 C

The High Power Polarization Insensitive Isolator is characterized with low insertion loss, high isolation, high power handling, high return loss, excellent environmental stability and reliability. It is ideal for fiber laser and instrumentation applications.

### Specifications

Parameter	Unit	Grade P	Grade A
Center Wavelength ( $\lambda_c$ )	nm	1064 nm or specify	
Max. Polarization Dependent Loss	dB	0.15	0.2
Typ. Peak Isolation	dB	26	24
Min. Isolation, $\lambda_c$ , 23 °C, all polarization states	dB	23	20
Typ. Insertion Loss, 23 °C	dB	1.3	1.5
Max. Insertion Loss, 23 °C	dB	1.5	1.7
Min. Return Loss (Input/Output)	dB	50/50	45/45
Max. Optical Power (Continuous Wave)	W	3	
Max. Tensile Load	N	5	
Fiber Type		HI 1060 fiber	

### Package Dimensions



Tolerance: X ± 1 mm; X.X ± 0.5 mm

### Ordering Information

HI3-①①-②-③-④-⑤

①①: Wavelength	②: Grade	③: Connector Type	④: Fiber Jacket	⑤: Fiber Length
06 - 1064 nm	P - Premium	N - None	B - 250 $\mu$ m bare fiber	1 - 1.0 m
SS - Specify	A - A grade		L - 900 $\mu$ m loose tube	S - Specify
			S - Specify	