



1064 nm High Power Polarization Insensitive Isolator (HI Series)

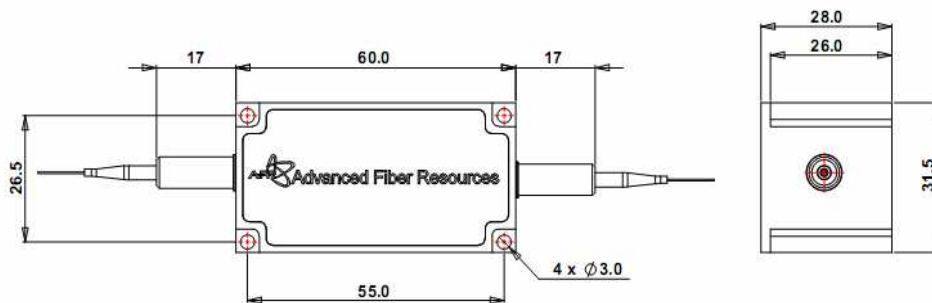
Rev 10 B

The 1064 nm High Power Polarization Insensitive Isolator is characterized with low insertion loss, high isolation, high power handling, high return loss, excellent environmental stability and reliability. It is ideal for fiber laser and instrumentation applications.

Specifications

| Parameter | Unit | Grade P | Grade A |
|--|------|--------------------|---------|
| Center Wavelength (λ_c) | nm | 1064 nm or specify | |
| Max. Polarization Dependent Loss | dB | 0.15 | 0.2 |
| Typ. Peak Isolation | dB | 26 | 24 |
| Min. Isolation, λ_c , 23 °C, all polarization states | dB | 23 | 20 |
| Typ. Insertion Loss, 23 °C | dB | 1.3 | 1.5 |
| Max. Insertion Loss, 23 °C | dB | 1.5 | 1.7 |
| Min. Return Loss (Input/Output) | dB | 50/50 | 45/45 |
| Max. Optical Power (Continuous Wave) | W | 10 | |
| Max. Tensile Load | N | 5 | |
| Fiber Type | | HI 1060 fiber | |

Package Dimensions



Tolerance: X ± 1 mm; X.X ± 0.5 mm

Ordering Information

HI10-①①-②-③-④-⑤

| | | | | |
|----------------|-------------|-------------------|----------------------------|-----------------|
| ①①: Wavelength | ②: Grade | ③: Connector Type | ④: Fiber Jacket | ⑤: Fiber Length |
| 06 - 1064 nm | P - Premium | N - None | B - 250 μ m bare fiber | 1 - 1.0 m |
| SS - Specify | A - A grade | | L - 900 μ m loose tube | S - Specify |
| | | | S - Specify | |