



## Bandpass Filter (BP Series)

Rev 11

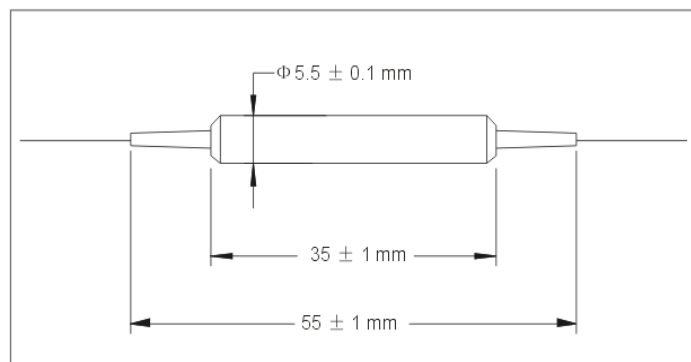
The Bandpass Filter is a micro optics device based on environmentally stable thin-film filter technology. It is used to block out unwanted noise signals in EDFAs and fiber laser systems. The components are characterized with high isolation, low insertion loss, high return loss, excellent environmental stability and high power handling capability.

### Specifications

Parameter	Unit	Value	
Center Wavelength	nm	1064	
CWL Tolerance	nm	± 1	± 0.5
Filter Pass Band @ -0.5 dB	nm	2	8
Max. Insertion Loss over Pass Band	dB	0.8	0.8
Wavelength Suppression @ (1020 - 1058 & 1070 - 1100 nm) for 2 nm	dB	25	N/A
Wavelength Suppression @ (1000 - 1054 & 1074 - 1100 nm) for 8 nm	dB	N/A	25
Min. Return Loss	dB	50	
Max. Polarization Dependent Loss	dB	0.1	
Thermal Stability	dB/°C	≤ 0.005	
Max. Optical Power (Continuous Wave)	mW	300	
Max. Tensile Load	N	5	
Fiber Type		HI 1060 fiber	
Operating Temperature	°C	-5 to +70	
Storage Temperature	°C	-40 to +85	

\*IL is 0.5 dB higher, RL is 5 dB lower for each connector added.

### Package Dimensions



### Ordering Information

BP-①①①①-②-③-④-⑤

①①①①: Wavelength	②: Pass Bandwidth	③: Connector Type	④: Fiber Jacket	⑤: Fiber Length
1064 - 1064 nm	2 - 2 nm	1 - FC/UPC	B - 250 μm bare fiber	1 - 1.0 m
SSSS - Specify	8 - 8 nm	2 - FC/APC	L - 900 μm loose tube	S - Specify
		3 - SC/UPC	S - Specify	
		4 - SC/APC		
		N - None		
		S - Specify		